

TM2328 Energy Wood Harvester 1490D

TECHNICAL MANUAL TM2328

TM2328 15JAN05 (ENGLISH)

For complete service information also see:

1490D Operator's Manual OMF069420
Deere engine 6068 HTJ77 Manual CTM 104
Fuel system Manual for 4,5 and 6.8 l diesel
engines CTM 331
TMC Workshop OMF064497
Timbermatic 700 / 900 OMF069483

**Worldwide Construction
And Forestry Division**

Litho in Finland

Introduction

Foreword

This manual is written for an experienced technician. Essential tools required in performing certain service work are identified in this manual and are recommended for use.

Live with safety: Read the safety messages in the introduction of this manual and the cautions presented throughout the text of the manual.



This is the safety-alert symbol. When you see this symbol on the machine or in this manual, be alert to the potential for personal injury.

This technical manual is concise guide for specific machine type. This is on-the-job guide containing only the vital information needed for diagnosis, analysis, testing, and repair.

Fundamental service information is available from other sources covering basic theory of operation, fundamentals of troubleshooting, general maintenance, and basic type of failures and their causes.

OUTJ003,0000344 -19-22JAN01-1/1

Serial Numbers

This Manual covers the following range of Forwarders serial numbers:

- WJ1490D002012...

JK11466,0000003 -19-14AUG03-1/1

John Deere Contact Information

Please, contact our web site: www.johndeere.com.

EL62757,000015B -19-19APR02-1/1

Introduction

Technical Information Feedback Form

We need your help to continually improve our Technical manuals please FAX or mail your comments, ideas and improvements on this comment sheet.

SEND TO: John Deere Forestry Oy
P.O. Box 474
FIN-33101 Tampere
Finland
Attn: Publications Supervisor

FAX NUMBER: +358 205 84 6160

Ideas, Comments, (Please state Page Number): _____

OVERALL, how would you rate the quality of "ALL" Technical manuals provided to you? (Check one)

Poor		Fair		Good		Very good		Excellent	
1	2	3	4	5	6	7	8	9	10

Company Name _____
Address _____
Phone _____
FAX No. _____
Dealer Acct. No. _____

THANK YOU!

Introduction

**Thanks very much for your reading,
Want to get more information,
Please click here, Then get the complete
manual**

JustClickHere 

NOTE:

**If there is no response to click on the link above,
please download the PDF document first, and then
click on it.**

**Have any questions please write to me:
admin@servicemanualperfect.com**

Contents

SECTION 00—General Information

- Group 0010—Safety features
- Group 0020—Safety - General Safety Precautions
- Group 0030—Safety - Operating Precautions
- Group 0040—Safety - Maintenance Precautions
- Group 0050—Specifications - General
- Group 0051—Specifications - Base Machine
- Group 0052—Specifications - Power Train
- Group 0053—Specifications - Hydraulics
- Group 0054—Specifications - Tires
- Group 0054—Specifications - Booms
- Group 0055—Specifications - Maintenance
- Group 0056—Specifications - Fluids and Lubricants
- Group 0057—Transporting and Towing

SECTION 01—Wheels

- Group 0110—Wheels Service

SECTION 02—Power Train

- Group 0210—Theory of Operation
- Group 0220—Transfer case (High / Low Gear)
- Group 0230—Drive shaft
- Group 0235—Drive Lines Troubleshooting
- Group 0240—Axles / Bogie
- Group 0245—NAF Service Manuals and Repair instructions
- Group 0250—Brakes - General
- Group 0255— Brakes - Service
- Group 0256—Brake Hydraulics Troubleshooting

SECTION 03—Hydraulic systems

- Group 0310—General
- Group 0315—Hydraulic Cooling System Troubleshooting
- Group 0320—Drive Hydraulics Service
- Group 0325—Checking and Adjusting Drive Hydraulics
- Group 0326—Hydrostatic Drive System Troubleshooting
- Group 0327—Hydrostatic Drive Pump Troubleshooting
- Group 0328—Hydrostatic Drive Motor Troubleshooting
- Group 0330—Work Hydraulics
- Group 0335—Work Hydraulics Service

- Group 0340—Work Hydraulics Checking and Adjusting
- Group 0350—Hydraulic Cylinders
- Group 0380—Hydraulic System - Appendix Manuals

SECTION 031—Hydraulic Diagrams

- Group 031-1—Hydraulic Diagrams

SECTION 04—Engine

- Group 0410—Engine mounting and dismounting
- Group 0420—Engine
- Group 0430—Engine Troubleshooting

SECTION 16—Electrical-System

- Group 1610—Main Electrical System
- Group 1630—Electrical Sensors
- Group 1640—Control Systems
- Group 1660—Alternator
- Group 1680—Starter Motor

SECTION 1615—Electrical Schematics

- Group 1615-1—Electrical Schematics

SECTION 17—Frames

- Group 1710—Frame installation
- Group 1720—Frame Hinge
- Group 1730—Service - Frame Joint
- Group 1740— Service - Frame Brake
- Group 1750—Operational Checks
- Group 1760—Steering

SECTION 18—Cabin

- Group 1810—Cabin Environment
- Group 1820— Cabin Service
- Group 1830—Cab Tilt Hydraulics Troubleshooting

SECTION 19—Heating and Air Conditioning System

- Group 1910—General
- Group 1920—Air Conditioning / Heater Components
- Group 1930—Diagnosing Air Conditioning / Heater System

Continued on next page

All information, illustrations and specifications in this manual are based on the latest information available at the time of publication. The right is reserved to make changes at any time without notice.

COPYRIGHT © 2005
DEERE & COMPANY
Moline, Illinois
All rights reserved
A John Deere ILLUSTRATION® Manual

00 **SECTION 37 —Boom**

- Group 3710— Boom - General
- Group 3720—Boom - Installation
- Group 3730—Boom Parts- Removal and Installation
- Group 3740—Boom Components - Removal and installation
- Group 3750—Boom - Diagnostic Information
- Group 3760—Boom - Overall maintenance

01 **SECTION 38—Decking Blade**

- Group 3810—General
- Group 3820— Removal and Installation
- Group 3830—Service
- Group 3840—Diagnostic information

02 **SECTION 40—Grapple**

- Group 4010—Theory of Operation
- Group 4020—Removal and Installation
- Group 4030—Grapple Service
- Group 4040—Grapple Rotator
- Group 4050—Diagnostics

03 **SECTION 44—Bundler Unit**

- Group 4410— General
- Group 4420—Componets
- Group 4430—Diagnostic Information
- Group 4440—Overall maintenance
- Group 4450-1—Repairs - Saw Unit
- Group 4450-2—Repairs - Twine magazine
- Group 4450-3—Repairs - Compactor Units
- Group 4450-4—Repairs - Swing Unit
- Group 4450-5—Repairs - Feed motor
- Group 4450-6—Repairs - Sensors

031 **SECTION 45—Tool Drawings**

- Group 4510—Dealer Fabricated Tools

04 **SECTION 80—Optional Equipments**

- Group 8010— Engine Preheater
- Group 8030—Fire Extinguisher
- Group 8040—Tropical Kit
- Group 8050—Extra fuel tank

Contents

19

37

38

40

44

45

80

INDX

Contents

19

37

38

40

44

45

80

INDX

Section 00

General Information

Contents

	Page		Page
Group 0010—Safety features			
Decals and Signs	00-0010-1	Use Proper Tools	00-0040-4
1490D Safety Features	00-0010-2	Support Machine Properly	00-0040-4
Driving and Service	00-0010-3	Shut Down Engine, Disconnect Battery Cable	00-0040-5
Group 0020—Safety - General Safety Precautions			
General	00-0020-1	Service Cooling System Safely	00-0040-5
Recognize Safety Information	00-0020-1	Prevent Battery Explosions	00-0040-5
Understand Signal Words	00-0020-1	Prevent Acid Burns	00-0040-6
Prepare for Emergencies	00-0020-2	Replacing the Xenon Worklamp	00-0040-7
Wear Protective Clothing	00-0020-2	Start Only from Operator's Seat	00-0040-7
Handle Fluids Safely—Avoid Fires	00-0020-3	Beware of Exhaust Fumes	00-0040-8
Handle Chemical Products Safely	00-0020-3	Avoid High Pressure Fluids	00-0040-8
Replace Safety Signs	00-0020-4	Avoid Heating near Pressurized Fluid Lines	00-0040-9
Maintain Safety Cabin	00-0020-4	Make Welding Repairs Safely	00-0040-9
Use of Radio-transmitters	00-0020-5	Service Tires Safely	00-0040-10
Group 0030—Safety - Operating Precautions			
Inspect machine	00-0030-1	Refueling and Servicing Fuel System	00-0040-10
Attach Do not Operate Tag	00-0030-1	Dispose of Waste Properly	00-0040-11
Prevent Machine Runaway	00-0030-2	Group 0050—Specifications - General	
Use Handholds and Steps	00-0030-2	Use Proper Tools	00-0050-1
Secondary exit	00-0030-3	General Component Locator	00-0050-2
Handle Starting Fluid Safely	00-0030-4	Machine Dimensions	00-0050-3
Pay Attention to Bystanders	00-0030-4	Bundler Unit Dimensions	00-0050-4
Carry no passengers	00-0030-5	Group 0051—Specifications - Base Machine	
Use Seat Belts	00-0030-5	Base Machine Engine	00-0051-1
Avoid Risks under Difficult Conditions	00-0030-5	Electrical System	00-0051-1
Stop Working if Machine Gives an Alarm	00-0030-6	Group 0052—Specifications - Power Train	
Keep Danger Zone Clear	00-0030-6	Transfer Case	00-0052-1
Precautions During the Sawing	00-0030-7	Axles/Bogies	00-0052-1
Loading the Machine	00-0030-7	Brakes	00-0052-2
Avoid Crush Points	00-0030-7	Group 0053—Specifications - Hydraulics	
Power Cables	00-0030-8	Hydrostatic System Pressures	00-0053-1
Driving/Transporting on Public Roads	00-0030-9	Hydrostatic Drive Pump	00-0053-1
Ensure Safety before Driving on Frozen Water	00-0030-9	Hydrostatic Drive Motor	00-0053-2
Fire Prevention	00-0030-10	Hydraulic System Specifications	00-0053-2
What To Do If the Machine Catches Fire	00-0030-11	Work Pump	00-0053-3
Group 0040—Safety - Maintenance Precautions			
General	00-0040-1	Hydraulic Tank and Filter Specifications	00-0053-3
Precautions while maintaining the Bundler Unit	00-0040-2	Steering	00-0053-4
Securing the Service Position	00-0040-3	Steering and Decking Blade Cylinders	00-0053-4
Use Proper Clothing	00-0040-3	Auxiliary Valve Specifications	00-0053-4

Continued on next page

Page

Multifunction Valve Specification00-0053-5
 Boom valve specifications00-0053-5

Group 0054—Specifications - Tires

General00-0054-1
 Tire pressure00-0054-1

Group 0054—Specifications - Booms

Boom CF51000-0054-1
 Rotator and Grapple00-0054-1

Group 0055—Specifications - Maintenance

Tightening Torque for Bolted Joints00-0055-1
 Unified Inch Bolt and Cap Screw Torque
 Values00-0055-3
 Metric Bolt and Cap Screw Torque
 Values00-0055-5
 Service Recommendations for O-Ring
 Boss Fittings00-0055-6
 Service Recommendations for Flat Face
 O-Ring Seal Fittings00-0055-8
 Service Recommendations For Inch
 Series Four Bolt Flange Fittings00-0055-9
 Service Recommendations for Metric
 Series Four Bolt Flange Fitting00-0055-10
 Metric Flanged Head00-0055-11
 O-ring Fittings00-0055-12
 SAE Code 61 and 62 Flanges00-0055-13
 Tapered Pipe Treads (NPTF and NPT)00-0055-14
 Flare Fittings00-0055-15



Group 0056—Specifications - Fluids and Lubricants

Recommended Lubricants and Fluids00-0056-1
 Capacities00-0056-2
 Diesel Fuel00-0056-3
 Engine Oil00-0056-6
 Coolant00-0056-7
 Hydraulic oil00-0056-8
 Gear oil00-0056-8
 Saw chain oil00-0056-9
 Brake fluid00-0056-9
 Cab lift pump00-0056-9
 Grease00-0056-9
 Lubricant Storage00-0056-10



Group 0057—Transporting and Towing

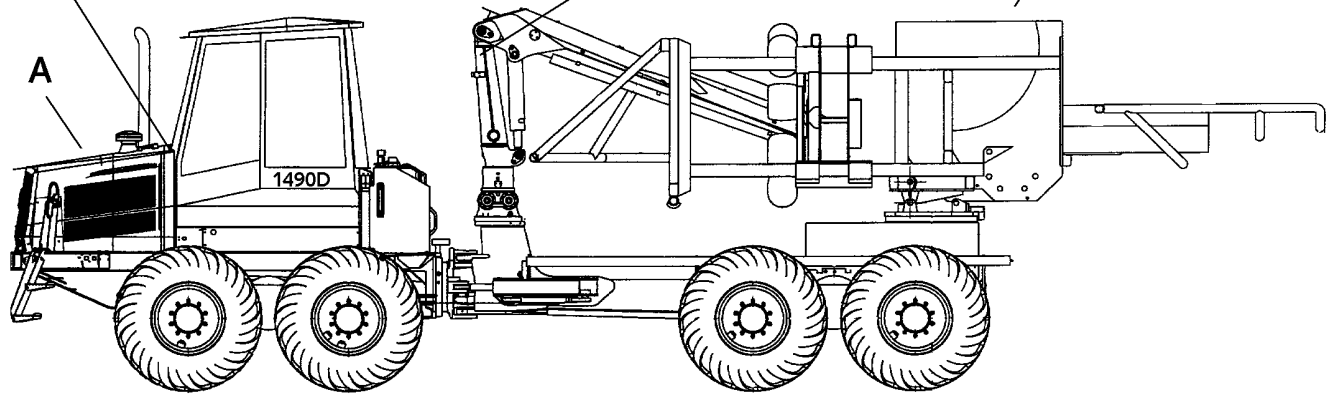
Prepare the machine for the
 Transportation00-0057-1

Decals and Signs

 Manufactured by John Deere Forestry Oy P.O. Box 474 FIN-33101 TAMPERE FINLAND			
Type	John Deere 1490D		
Serial No.	WJ1490D002		
Year	200		
Engine power	129	kW	
Typical weight	GW: 20700	kg	BW: 22500 kg
F635422			

CF510	_____
WJOCF	_____
Year / Vuosi	_____

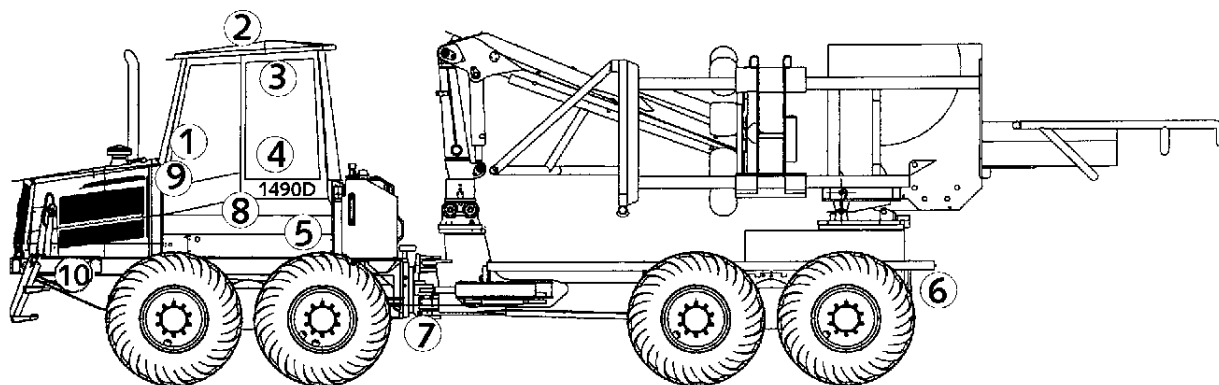
 Manufactured by John Deere Forestry Oy P.O. Box 474 FIN-33101 TAMPERE FINLAND			
Type	John Deere B380		
Serial No.	WJB380X0002		
Year	200		
Engine power	_____	kW	
Typical weight	7000	kg	
F628792			



A—Serial number
On the front frame, on the
right side of the machine

T164204 -JUN-31MAY05

00
0010
2
1490D Safety Features



T164206 -JUN-20JAN03

1—Secondary exit. The right-hand cap window can be used as a secondary exit from the cab.

2—ROPS. Integrated rollover and operator protective structures fully enclose and protect the operator

3—Central warning light and alarms (+buzzer). Alarm when malfunctions occur.

4—Seat safety switch. No function can be engaged before somebody sits on the seat.

5—Safety signs. Warn and give safety information for the operator.

6—Back-up alarm (opt). Alerts bystanders when machine is reversing.

7—Frame brake. Locks the horizontal hinge of the machine.

8—Hand-held fire extinguishers and fire extinguisher system (opt.)

9—Emergency stop Stops the machine and engages the parking brake.

10—Stairs, anti-slips on the steps, handrails. Help to climb into the machine.

Please remember, the Operator is the key to preventing accidents.

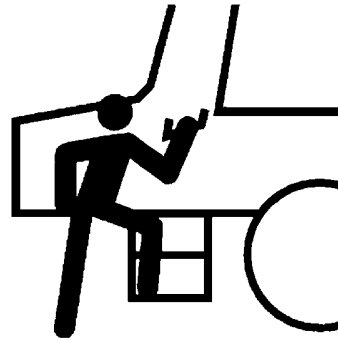
OUTJ003.00005CF -19-10MAY01-1/1

Driving and Service

The machine may only be used or repaired by personnel who have received training that is approved by John Deere.

IMPORTANT: Do not let an untrained person operate the machine.

- Carry no passengers. The vehicle is provided and approved with seating for the operator only.
- Use the handrails and steps provided when mounting and dismounting from the machine. Do not climb onto the machine in any other fashion.
- The machine must not be operated by anyone under the influence of alcohol or drugs.
- Avoid operating the machine if you are tired or ill, as there is a greater risk of accident. Take sufficient breaks and observe local regulations on working hours.



T152788 -UN-20MAR02

Safety features

00
0010
4

Group 0020 Safety - General Safety Precautions

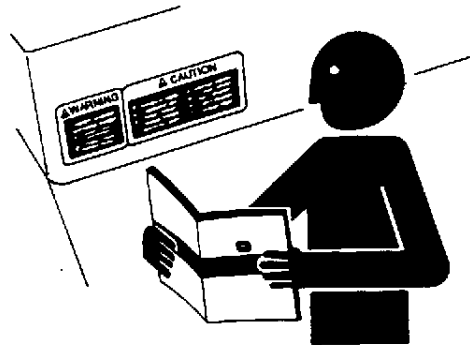
00
0020
1

General

Should there be any information or instructions in this manual that are not in compliance with local laws and regulations in force in the country or region where this equipment is operated, the local laws and regulations must take precedence.

This machine should not be operated or maintained by personnel other than those who have been thoroughly trained.

As the maintainer ensure that you become familiar with all occupational safety regulations pertaining to forest machinery as well as all safety instructions pertaining to this equipment. Observe the instructions provided in this manual and on all hazard and information decals on the machine.



T5201 -UN-23AUG88

OUTJ003,00004A0 -19-15FEB01-1/1

Recognize Safety Information

This is a safety-alert symbol. When you see this symbol on your machine or in this manual, be alert to the potential for personal injury.

Follow recommended precautions and safe operating practices.



T133555 -UN-28AUG00

DX,ALERT -19-29SEP98-1/1

Understand Signal Words

A signal word—DANGER, WARNING, or CAUTION—is used with the safety-alert symbol. DANGER identifies the most serious hazards.

DANGER or WARNING safety signs are located near specific hazards. General precautions are listed on CAUTION safety signs. CAUTION also calls attention to safety messages in this manual.



TS187 -19-30SEP88

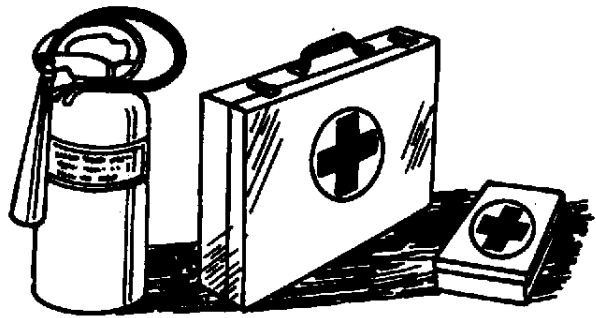
DX,SIGNAL -19-03MAR93-1/1

00
0020
2

Prepare for Emergencies

Keep a first aid kit in an easily accessible location on the vehicle at all times. Check the first aid kit regularly and make sure you immediately replace all items you have used.

Learn to use first aid equipment and fire extinguishers. Keep emergency numbers always available or save those to your portable phone.



TS291 -UN-23AUG88

DX,FIRE2 -19-03MAR93-1/1

Wear Protective Clothing

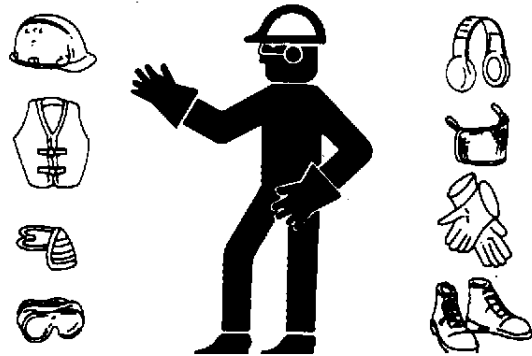
Wear close fitting clothing and safety equipment appropriate to the job.

Prolonged exposure to loud noise can cause impairment or loss of hearing. Wear a suitable hearing protective device such as earmuffs or earplugs to protect against objectionable or uncomfortable loud noises.

Safety face shield, glasses, or goggles should always be used as protection from pressurized fluid spray, flying debris, and other airborne matter when working with tools, power tools, welding equipment, and corrosive or dangerous chemicals.

Wear protective clothing as required by the job. Use a rubber apron and rubber gloves when working with corrosives and wear heavy work gloves and safety shoes when handling large heavy or sharp objects and cables.

Operating equipment safely requires the full attention of the operator. Do not wear radio or music headphones while operating machine.



TS206 -UN-23AUG88

OUTJ003,00005AA -19-09MAY01-1/1

Handle Fluids Safely—Avoid Fires

When you work around fuel, do not smoke or work near heaters or other fire hazards.

Store flammable fluids away from fire hazards. Do not incinerate or puncture pressurized containers.

Make sure machine is clean of trash, grease, and debris.

Do not store oily rags; they can ignite and burn spontaneously.



TS227 -UN-23AUG88

DX,FLAME -19-29SEP98-1/1

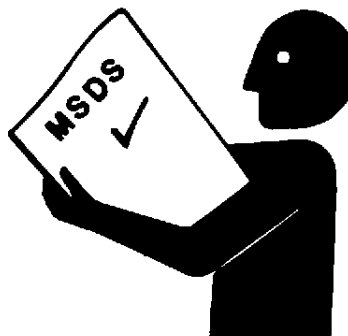
Handle Chemical Products Safely

Direct exposure to hazardous chemicals can cause serious injury. Potentially hazardous chemicals used with your machine include such items as lubricants, coolants, paints, and adhesives.

A Material Safety Data Sheet (MSDS) provides specific details on chemical products: physical and health hazards, safety procedures, and emergency response techniques.

Check the MSDS before you start any job using a hazardous chemical. That way you will know exactly what the risks are and how to do the job safely. Then follow procedures and recommended equipment.

See your authorized dealer for MSDS's on chemical products used with your machine.



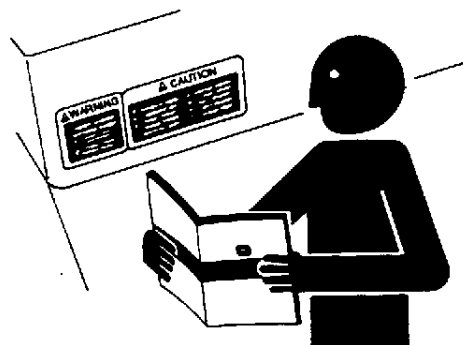
TS1132 -UN-26NOV90

TX,05,DH2500 -19-02OCT92-1/1

Replace Safety Signs

Replace missing or damaged safety signs.

See Parts Catalogue for correct safety sign placement.



TS201 -JUN-23AUG88

DX,SIGNS1 -19-04JUN90-1/1

Maintain Safety Cabin

Cabin is safety tested according to international ROPS, FOPS and OPS standards.

Do not operate the machine with the door open or any of the safety covers or protective devices removed.

It is important to keep the operator protective structure in place (doors, screens, windows, windshield, etc.) to minimize hazards from whipping or intruding objects.

The protection offered by ROPS, FOPS and OPS will be impaired if cabin

- is subjected to structural damage
- is involved in an overturn incident
- is in any way altered by welding, bending, drilling, or cutting

To maintain ROPS, FOPS and OPS protection, replace damaged cabin parts immediately. A damaged structure should be replaced, not reused.

Do not attach any parts on the cabin by welding nor drill any holes on it because it is a safety cabin. It is forbidden to modify the window fastening.

AK12300.000010A -19-05NOV01-1/1

Use of Radio-transmitters

IMPORTANT: Any use of equipment containing a radio transmitter (e.g., telephone, communications radio) that has an antenna inside the cab is strictly prohibited.

Such equipment must be permanently installed in a proper manner with an antenna on a suitable grounded plate outside the cab.

Never mount an antenna inside the cabin because it may cause malfunction in electrical devices!



CAUTION: Never use a headset when there is thunder or lightening. Observe the danger of an outer antenna so that it does not come into contact with power lines.

EL62757,000005B -19-24SEP01-1/1